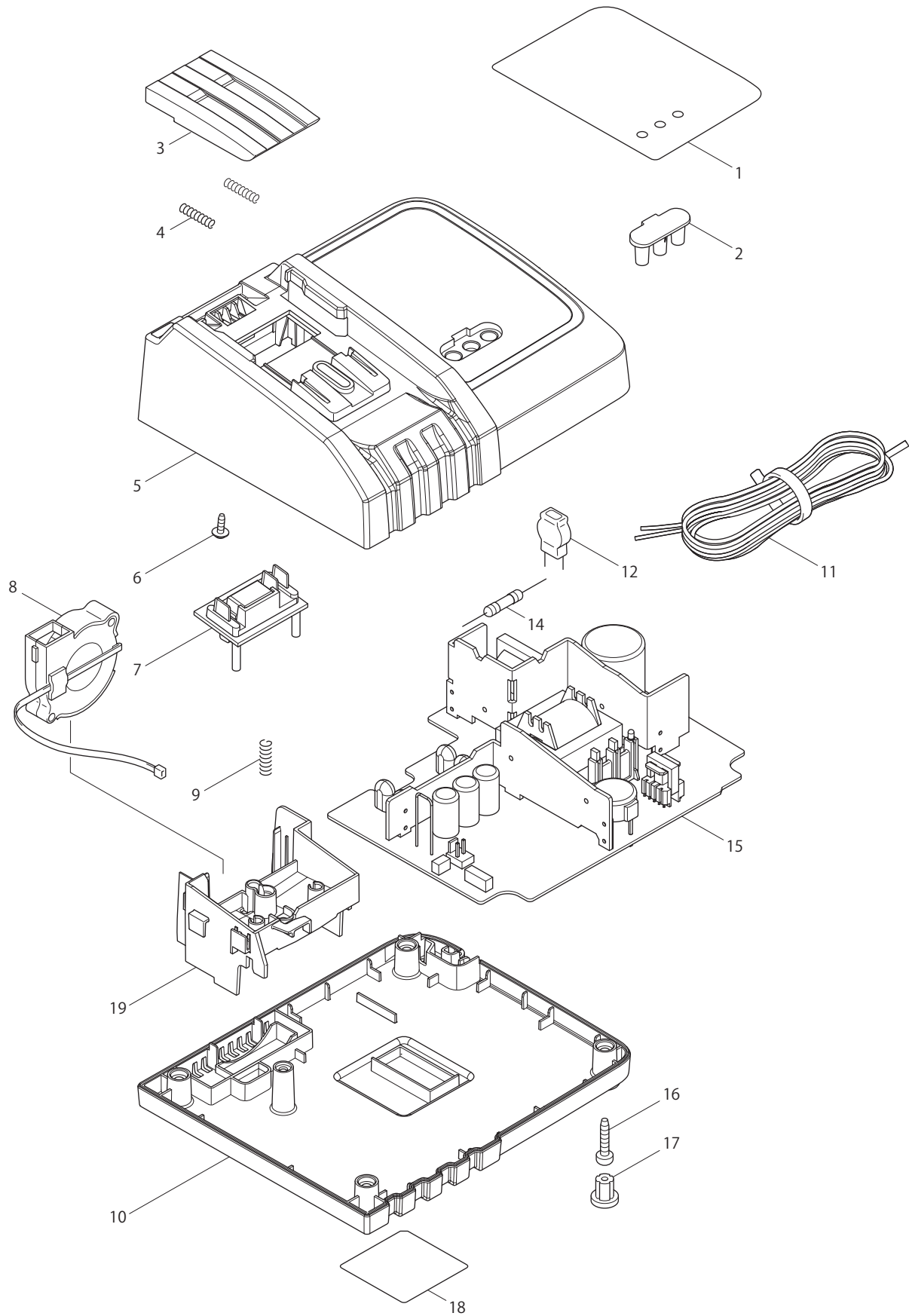




02 - 2013  
DC18RC  
DC18RC CHARGER



Item No	Type	Ref	Part No	Description	Qty	Unit
1			892752-5	CHARGING CONDITION LABEL	1	PC.
2	T		452661-6	LENS	1	PC.
	S		452862-6	LENS	1	PC.
3	1		419569-7	TERMINAL COVER	1	PC.
	2		455546-5	TERMINAL COVER	1	PC.
4			231474-6	COMPRESSION SPRING 4	2	PC.
5	T		140824-3	CHARGER CASE COMPLETE	1	PC.
		INC.		Item No. 2 Type:T		
	S		140977-8	CHARGER CASE COMPLETE	1	PC.
		INC.		Item No. 2 Type:S		
6			266278-7	TAPPING SCREW FLANGE BT3X10	1	PC.
7	T		638847-8	TERMINAL UNIT	1	PC.
	S		638987-2	TERMINAL UNIT	1	PC.
8			638499-5	SCIROCCO FAN	1	PC.
9			233194-8	COMPRESSION SPRING 4	1	PC.
10	T		452659-3	CHARGER CASE COVER	1	PC.
	S		452860-0	CHARGER CASE COVER	1	PC.
11			667982-5	VINYL CORD #18-2-2.0	1	PC.
12			647321-5	VARISTOR	1	PC.
14	T		652782-6	FUSE	1	PC.
	S		652802-6	FUSE	1	PC.
15	T		620066-0	CHARGING CIRCUIT	1	PC.
		INC.		Item No. 12,14 Type:T		
	S		620203-6	CHARGING CIRCUIT	1	PC.
		INC.		Item No. 12,14 Type:S		
16	T		266346-6	TAPPING SCREW BT 4X20	4	PC.
	S		266426-8	TAPPING SCREW 4X20	4	PC.
17			286255-3	CAP 13	4	PC.
18			869949-1	DC18RC T NAME PLATE	1	PC.
19	T		452660-8	TERMINAL BASE	1	PC.
	S		452861-8	TERMINAL BASE	1	PC.
20	T		266346-6	TAPPING SCREW BT 4X20	1	PC.
	S		266764-8	TAPPING SCREW 3X8	3	PC.
E01			893544-5	CAUTION LABEL EN/SP/FR	1	PC.
C01			872326-8	CARTON F/DC18RC	1	PC.

\*TYPE T = TAMURA

\*TYPE S = SONY

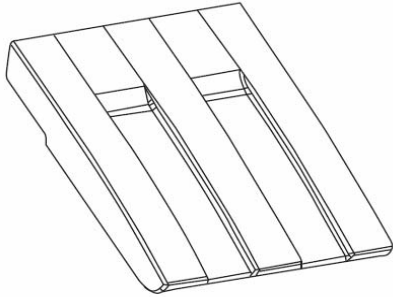
**SERVICE CHANGE**

**2. CHANGE ON TERMINAL COVER**

(TI#A8326)

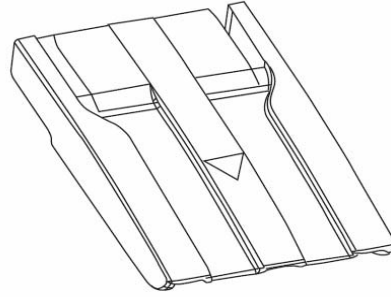
Item No.	DESCRIPTION	TYPE1	TYPE2
3	TERMINAL COVER	419569-7	455546-5

**Type 1**



Color: Clear

**Type 2**



Color: Makita-blue

